

OPzV

Valve regulated lead-acid battery



Motive Power Systems

Reserve Power Systems

Special Power Systems

Service

Your benefits with HOPPECKE OPzV

- **Maintenance-free regarding water refilling** - due to innovative Gel-technology
- **Very high expected service life** - due to optimized lead-calcium alloy
- **Very high cycle stability** - due to tubular plate design
- **Maximum compatibility** - design according to DIN 40742
- **Optimal space utilization** - due to horizontal arrangement and stacking
- **Higher short-circuit safety even during the installation** - based on HOPPECKE system connectors



Similar to the illustration

Typical applications of HOPPECKE OPzV

- **Telecommunications**
Mobile phone stations,
BTS-stations, off-grid/on-grid
solutions
- **Traffic systems**
Signalling, lighting
- **Security lighting**



HOPPECKE

POWER FROM INNOVATION

Type Overview

Capacities, dimensions and weights

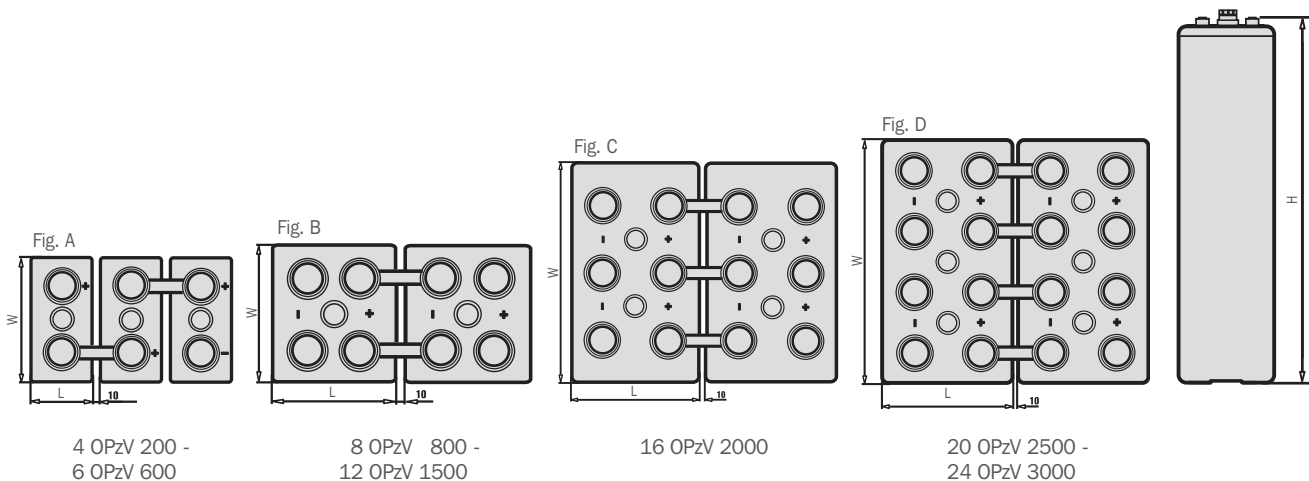
Type	C _{nom} /1.80 V Ah	C ₁₀ /1.80 V Ah	C ₅ /1.77 V Ah	C ₃ /1.75 V Ah	C ₁ /1.67 V Ah	max.* Weight kg	max.* Length L mm	max.* Width W mm	max.* Height H mm	Fig.
4 OPzV 200 (*)	200	213	199	183	141	20.0	105	208	420	A
5 OPzV 250 (*)	250	267	248	228	177	24.0	126	208	420	A
6 OPzV 300 (*)	300	320	298	274	212	28.0	147	208	420	A
5 OPzV 350 (*)	350	412	365	324	236	31.0	126	208	535	A
6 OPzV 420 (*)	420	494	438	387	283	37.0	147	208	535	A
7 OPzV 490 (*)	490	577	510	453	330	42.0	168	208	535	A
6 OPzV 600 (*)	600	718	625	543	388	50.0	147	208	710	A
8 OPzV 800 (*)	800	958	835	723	517	68.0	215	193	710	B
10 OPzV 1000 (*)	1000	1200	1040	906	646	82.0	215	235	710	B
12 OPzV 1200 (*)	1200	1440	1250	1086	775	97.0	215	277	710	B
12 OPzV 1500 (*)	1500	1570	1315	1146	795	120.0	215	277	840	B
16 OPzV 2000	2000	2090	1750	1530	1059	165.0	215	400	815	C
20 OPzV 2500	2500	2620	2190	1911	1324	200.0	215	490	815	D
24 OPzV 3000	3000	3140	2625	2295	1589	240.0	215	580	815	D

C_{nom} = nominal capacity at 10 h discharge according to DIN 40742

C₁₀, C₅, C₃, and C₁ = Capacity at 10 h, 5 h, 3 h and 1 h discharge

(*) = horizontal operation possible

* according to DIN 40742 data to be understood as maximum values



Design life: up to 18 years

Endurance in cycles: up to 1200 discharges at 80% DOD

Optimal environmental compatibility - closed loop for recovery of materials in an accredited recycling system.